

Differential pressure gauges // with 2 bourdon tubes // Type MDE



Type MDE

Your advantages

Type	MDE
	<ul style="list-style-type: none"> • Suitable for outdoor use - Closed system (IP65) • Case complete stainless steel • Without electrical auxiliary power

Technical data

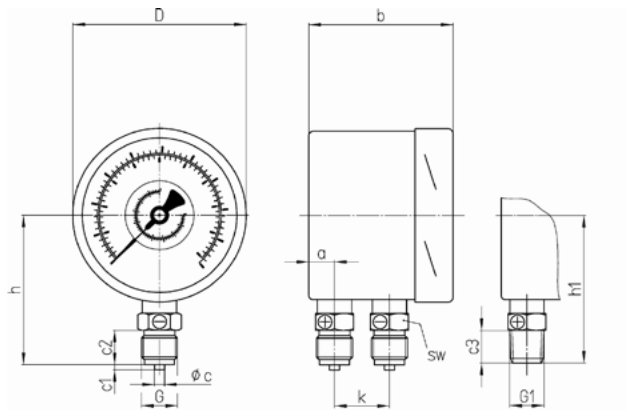
Type	MDE
Version	Bayonet ring case
Nominal size	100 mm, 160 mm
Accuracy	EN 837-1, class 1.6
Medium / Application	Liquid and gaseous media
Process connection	Bottom connections parallel one behind the other, 2x G $\frac{1}{2}$ B, brass, optionally stainless steel
Measurement system	Bourdon spring bronze, optional stainless steel
Degree of protection according to EN 60529	IP54 (IP65 with filled case)
Ambient temperature	-40 to 60 °C [-20 to 60 °C with case filling]
Storage temperature	-40 to 70 °C [-20 to 70 °C with case filling]
Medium temperature	Devices with brass connection max. 60 °C Devices with stainless steel connection max. 100 °C
Nominal use temperature	20 °C*
Pressure load capacity	Of full-scale value
→ Resting load	100 %
→ Dynamic load	90 %
→ Overload	Max.

* The pressure gauges are calibrated at a reference temperature of 20 °C. At other operating temperatures the maximum indication error is ± 0.4 % of full scale value per 10 °C difference in accordance with EN 837-1.

Types and dimensions

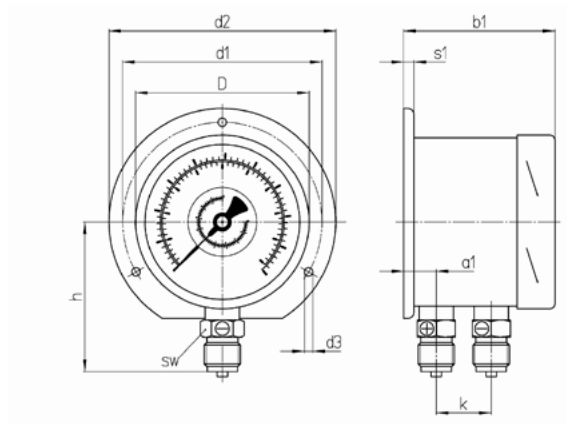
Without mounting flange

Parallel one behind the other



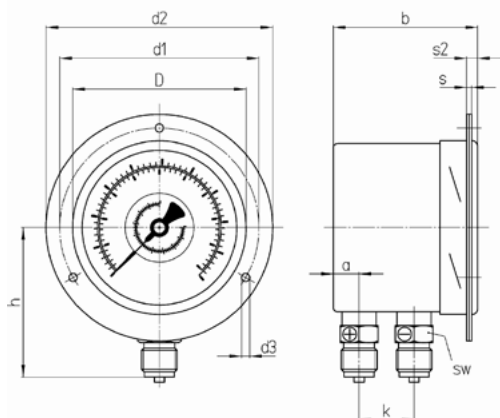
With rear flange

Parallel one behind the other



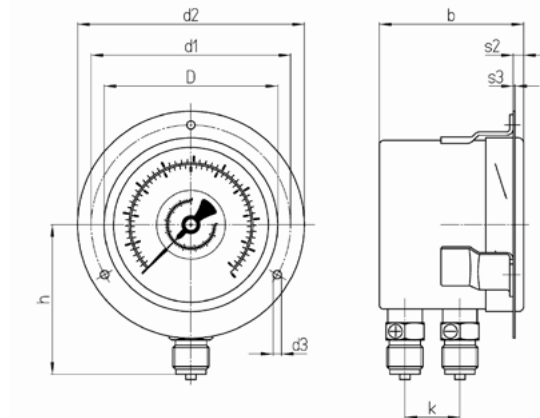
With front flange, unfilled*

Parallel one behind the other



With front flange, filled**

Parallel one behind the other



* Unfilled version with fixed front mounting flange with oval holes and separate trim ring.

** Filled version with lugs welded to the case and separate trim ring.

Dimensions [mm]

NS	D	d1	d2	d3	a	a1	b	b1	c	c1	c2	c3
100	100	116	132	4.8	15	19	85	89	6	3	20	19
160	160	178	196	5.8	33	37	104	106.5	6	3	20	19

Dimensions [mm]

NS	G	G1	h ^{z1}	h ^{h1z1}	k	SW	s	s1	s2	s3	Weight [kg] (approx)***	
											unfilled	filled
100	G1/2 B	1/2 NPT	87	86	32	22	2	6	6	1	0.90	1.50
160	G1/2 B	1/2 NPT	117	116	32	22	2	6	6	1	1.50	3.50

*** Data applies to versions without mounting flange

Order code							
Differential pressure gauges with 2 bourdon tubes							
Bayonet ring case	MDE						
Nominal size							
100 mm		3					
160 mm		4					
Connection thread							
G½ B bottom			1				
NPT bottom			B				
M20 x 1.5			3				
Connection material							
Brass				1			
Stainless steel				3			
Display range							
0...0.6 bar					015		
0...1 bar					025		
0...1.6 bar					035		
0...2.5 bar					045		
0...4 bar					055		
0...6 bar					065		
0...10 bar					075		
0...16 bar					085		
0...25 bar					095		
0...40 bar					105		
0...60 bar					115		
0...100 bar					125		
0...160 bar					135		
0...250 bar					145		
0...400 bar					155		
0...600 bar					165		
Mounting flange							
None						0	
Rear flange						1	
Front flange						2	
Options							
None							0
Filled case							
Unfilled case							0
Filled case (glycerine)							G
Example article number	MDE	3	1	3	015	1	0 0

